

RAPIDTOOL RT-EXA Rebar Tying Machine Electronic Extension Arm



General Safety

1. Refer to RAPIDTOOL RT-40A/RT-60A Rebar Tying Machine User's Guide for machine safety instructions.
2. Ensure rebar tying machine trigger lock is on and power is switched off when not in use.
3. Authorized personal protective equipment must be worn when operating machine (minimum requirement - protective gloves).
4. Ensure body parts are well clear of moving parts (machine mouth, feeding gears, and wire coil), in particular keep hands well clear of machine mouth when power is on.
5. Use away from others, particularly children.

Installation Guide

1. Loosen 4 bolts above the trigger, with allen key.
2. Move extension arm back or forth to desired length.

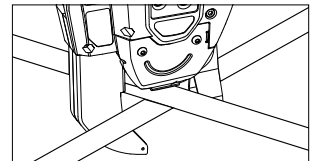
3. Tighten 4 bolts with allen key.
4. Loosen and open clamp by turning the lever anti-clockwise.
5. Insert the machine handle into the clamp. Ensure that the rebar tying machine is facing away from the trigger.
6. Close the clamp over the machine handle and put the washer back in place.
7. Tighten the clamp on the rebar tying machine by turning the lever clockwise.
8. Insert the cord on the electronic extension arm into the port on the back of the rebar tying machine.
Refer to Diagram A below.

the main switch to the 'On' position.

3. Unlock the trigger by pushing the trigger lock upwards to the 'On' position.
4. Place forearm on the arm rest and wrap fingers around the extension arm handle.
5. Place the rebar tying machine on a 45° angle over the rebar cross surface and push the machine mouth towards the rebar.
6. Place the rebar tying machine arm perpendicularly on top of the rebar cross surface and with the machine mouth centred over the cross.

Operating Instructions

1. Refer to RAPIDTOOL RT-40A/RT-60A Rebar Tying Machine User's Guide for operating instructions before using the RT-EXA electronic extension arm with machine.
2. Switch power on by pushing



7. Press the trigger.

Warning - Do not move the rebar tying machine while it is tying.

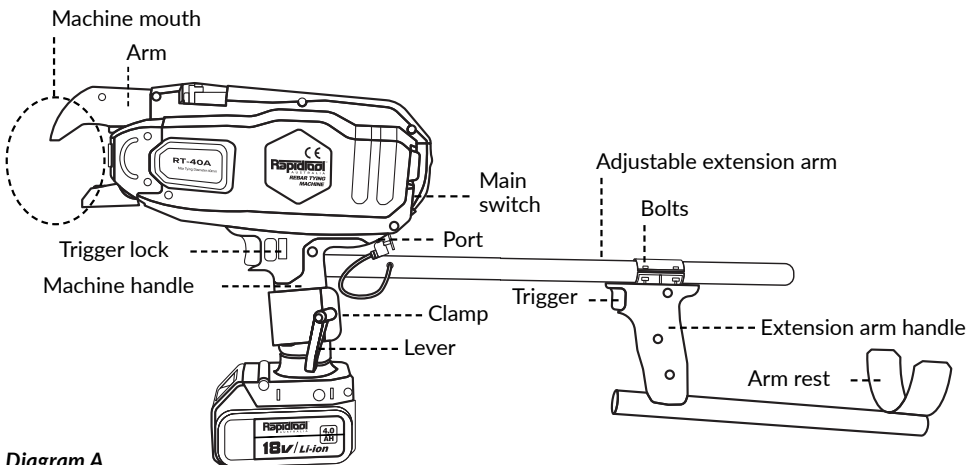


Diagram A