

Rapidool

A U S T R A L I A



User's Guide

REO-MECH
Industrial Rebar Benders & Cutters

WARNING: PLEASE READ THIS MANUAL CAREFULLY BEFORE USING THIS MACHINE

*Machine is not rated and should not be used for commercial rebar production purposes.
Do not operate bender and cutter at the same time.*

Rebar Bender Models

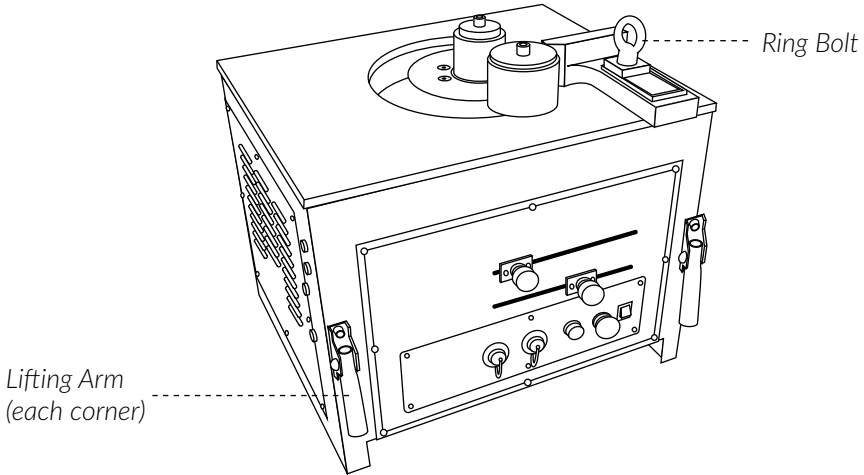
1. Safety

This machine is a high performance, industrial machine. Failure to follow safety instructions may result in serious injury or death.

1. Take note of all warning signs on machine.
2. Keep work area clean and free from obstruction.
3. Ensure power supply is properly earthed.
4. Keep body parts well clear of moving parts and protected areas when machine is switched on.
5. Authorized personal protective equipment must be worn when operating machine (minimum requirement - safety glasses (when operating cutter), protective gloves and class 2 hearing protection).
6. Indoor use only - never operate machine in wet or damp conditions.
7. Stand well clear of machine when in use (opposite the direction of bend).
8. Use away from others, particularly children.
9. Ensure power & pedal switch cords are securely fastened prior to switching on machine.
10. Use emergency stop button immediately if issues arise during operation.
11. Ensure lifting chains are fastened securely below lifting arms and through ring bolt when in transit.
12. Never attempt to bend rebar outside of models prescribed diameter range (refer to table in Specifications & Parts section).
13. Do not bend short lengths.
14. Mount machine on even surface capable of carrying weight of machine. Machine should not vibrate on surface during operation.
15. Clean machine of loose debris after use.
16. Never attempt to service machine (other than general maintenance procedures outlined in Maintenance section). Contact supplier if issue arises.
17. Only use REO-MECH approved spare parts and accessories with machine.
18. Keep away from sparks and naked flames.
19. Always check power cords for damage and safe placement prior to use.
20. Disconnect machine from power outlet when not in use.
21. Inspect machine before each use. Do not use when quality has been compromised.
22. Do not cover air vents on machine.
23. Store out of reach of children.

2. Transporting Machine

1. Install & tighten ring bolt securely.
2. Check lifting arm bolts to ensure bolts are securely fastened.
3. Secure lifting chain below lifting arms and through ring bolt to prevent excess movement during transport.
4. Ensure all machinery & equipment used to transport the machine are rated for required loads.



3. Specifications & Parts

Power Supply:

Ensure machine is connected to correct power supply (check machine label to confirm power supply).

Extension Leads:

Where possible, connect machine directly to power outlet. If an extension lead is required, ensure lead is under 50m in length. Minimum extension lead diameter are prescribed below:

Extension Lead Length (m)	Min Wire \varnothing (mm ²)
30m	2.5
50m	4.0

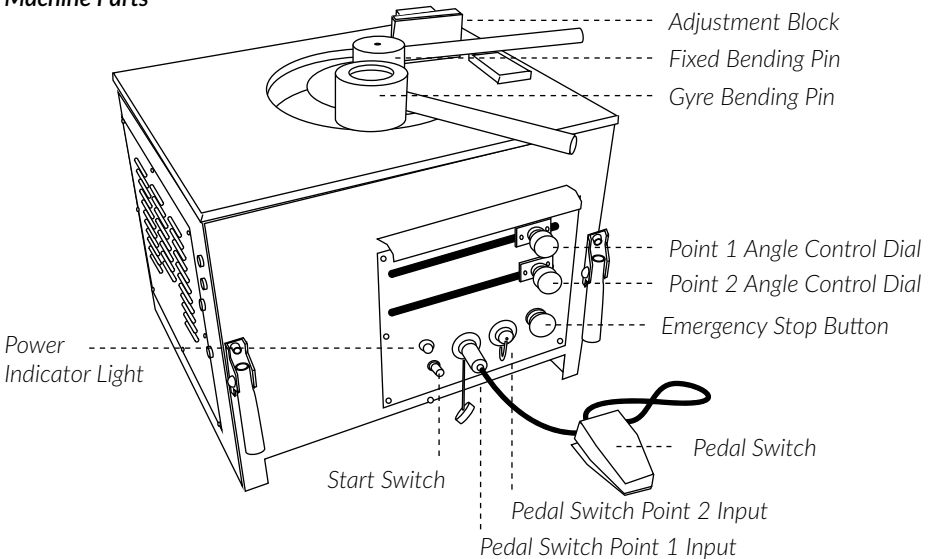
Machine Specifications

Models		CRB-25	CRBC-25	CRB-32	CRBC-32
Input Voltage - Single Phase		220-240V AC ~50Hz or 110-120V AC ~60Hz *			
Power Consumption 220-240V	Bender	1050W	1050W	1800W	1800W
	Cutter	-	1550W	-	2400W
Power Consumption 110-120V	Bender	1150W	1150W	1900W	1900W
	Cutter	-	1500W	-	2150W
Net Weight		91kg	136kg	175kg	225kg
Dimensions (cm)		45L x 50W x 44H	50L x 45W x 79H	60L x 58W x 47H	60L x 58W x 98H
Bending Range		6-25mm**	6-25mm**	6-32mm**	6-32mm**
Cutting Range		-	4-25mm**	-	6-32mm**

* Check machine label to determine correct power supply.

** Refer to machine model data sheet for maximum tensile strength/grade.

Machine Parts



Note: Location of features on machine face may vary with machine model.

4. Operating Machine

General notes:

Machine is equipped with an emergency stop button.

Ensure pedal switch cords are securely fastened to inputs (if pedal switch required).

Always ensure point 1 angle is set at least 5 degrees higher than point 2 angle.

Ensure angle control dials are securely fastened.

Wait until bending cycle is completed before starting new cycle.

If pedal switches are not required, press the start switch to bend to point 1 angle.

Pre-use Checks

1. Check power supply is properly earthed.
2. Check that power cord is undamaged and plug is not loose (also applies for extension leads).

Bending Procedure

1. Secure required fixed bending pin and gyre bending pin combination as per table below.
2. Modify adjustment block to suit required bar size.
3. Securely fasten pedal switch cords to machine inputs (if required).
4. Connect to power source and observe power indicator light on machine face indicating machine is ready for use.
5. Adjust point 1 and point 2 angle control dials to required angles ensuring point 1 angle is set at least 5 degrees higher than point 2 angle. Securely fasten angle control dial once required angles are set.
6. Stand well clear of machine (opposite direction of bend).
7. Press the pedal switch connected to pedal switch point 1 input to bend to point 1 angle.

Note: Pressing the start switch will also bend to point 1 angle.

8. Press the pedal switch connected to pedal switch point 2 input to bend to point 2 angle.
9. Bender/cutter model also has pedal switch point 3 input to operate cutter (see Additional Instructions for Rebar Cutter section).

CRB-25/CRBC-25

Fixed Bending Pin	Gyre Bending Pin
ø80	ø115
ø105	ø85

CRB-32/CRBC-32

Fixed Bending Pin	Gyre Bending Pin
ø80	ø165
ø120	ø110
ø140	ø75

5. Working Conditions

Do not use or store machine outside of environmental conditions below:

Working Temperature	-10°C - +45°C
Humidity	<90% RH
Storage Temperature	-20°C - +65°C
Elevation	< 100m
Environment	Interior, waterproof, non-corrosive, non-flammable

6. Maintenance

Always ensure power is disconnected before performing maintenance.

Cleaning:

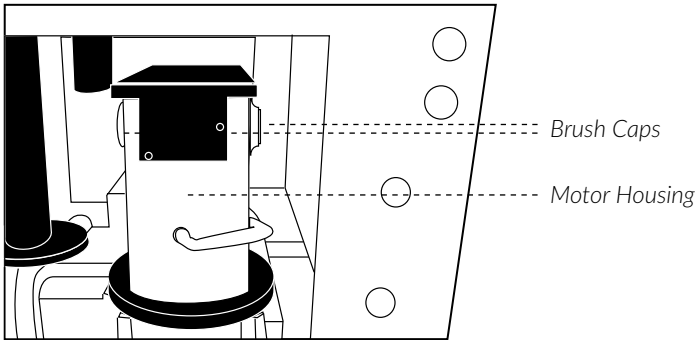
Always wear gloves to protect hands from metal splinters when cleaning. Wipe or brush away all dust and metal filings (can use compressed air).

Carbon Brushes:

Inspect carbon brushes monthly. Worn brushes will result in power loss and cause irreparable damage to the armature's commutator. Check brushes immediately if a loss of power or electrical fault is experienced.

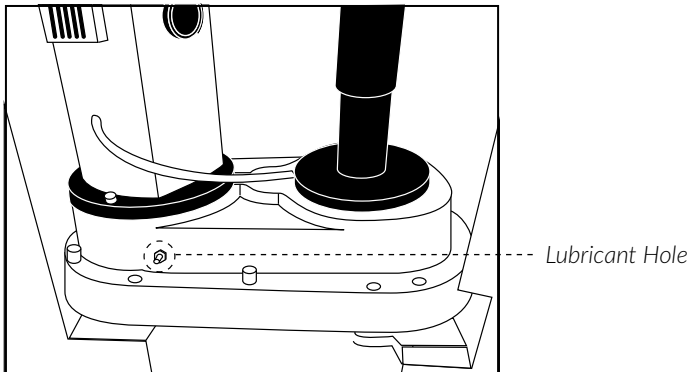
Replacing Carbon Brushes:

1. Open the access side panel and locate the motor housing(s) with black lid.
2. Locate the brush caps on both sides near the top of the motor housing(s).
3. Open the brush caps with a screwdriver and remove carbon brushes from the machine.
4. Inspect the carbon brushes and replace where worn or damaged.
5. Reinstall new carbon brushes and brush caps securely.
6. Replace access side panel.



Lubrication:

Lubricant shall be checked every 2 months for heavy usage or when loss of power is experienced. Always use approved lubricant with high corrosion and friction resistance properties. Apply lubricant via grease gun to lubricant hole to ensure lubricant chamber remains full.

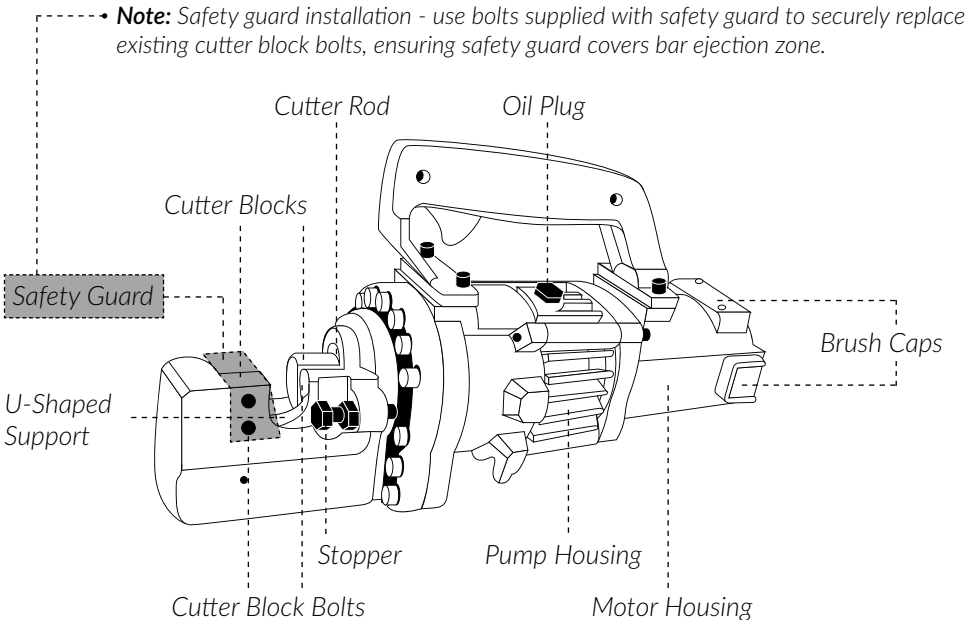


Additional Instructions for Rebar Cutter (Rebar Bender/Cutter Model)

1. Safety

1. Keep body parts well clear of cutting blocks when machine is switched on.
2. Never attempt to cut rebar outside of models prescribed diameter range (refer to table in Specifications & Parts section).
3. Do not cut short lengths.
4. Inspect cutter before each use (refer to Maintenance section). Do not use when quality has been compromised.
5. Beware of ejected objects during the cutting process. Always wear approved safety glasses.
6. Use protective gloves when cleaning machine or handling cutter blocks as edges are very sharp.
7. Do not touch pump housing after use as it will be hot. Wait for machine to cool.
8. Where available, safety guard should be installed.

2. Cutter Parts



Note: Cutter body varies with different models - use as a general guide.

3. Operating Machine

Pre-use Checks:

Check condition of cutter blocks and tightness of cutter block bolts (refer to Maintenance section).

Warm Up:

In cold weather, warm up cutter by repeating cut cycle for 60 seconds to ensure hydraulic oil reaches proper viscosity.

Stopper Adjustment:

Adjustable stopper must be set in correct position dependent on size of rebar.

1. Insert rebar into U-shaped support.
2. Keeping rebar at 90° to machine, screw in stopper until it is just touching the rebar.

Cutting Procedure:

1. Securely fasten pedal switch chord to pedal switch point 3 input.
2. Connect to power source and observe power indicator light on machine face indicating machine is ready for use.
3. Insert rebar between stopper and front cutter block, making sure it is properly seated in U-shaped support.
4. Press the pedal switch connected to pedal switch point 3 input while cutter rod advances and fully cuts rebar.
5. Release pedal switch only once rebar has been fully cut to allow cutter rod to retract.

Note: Power will be compromised if hydraulic oil exceeds 70°C. Allow machine to cool before resuming operation.

4. Maintenance

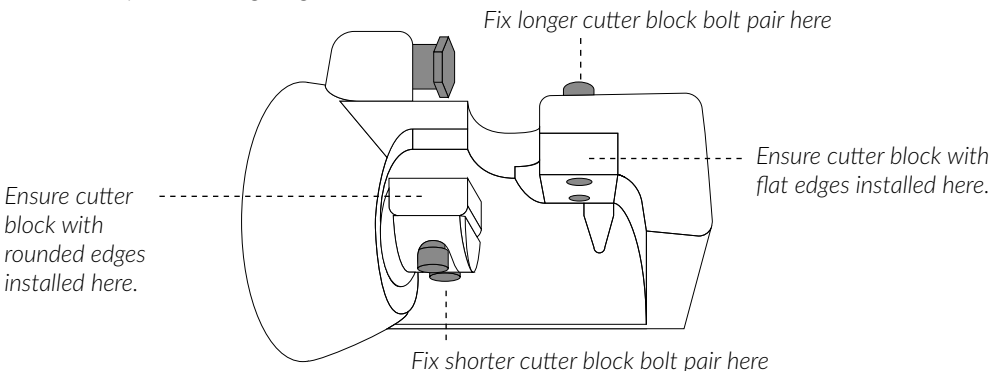
Always ensure power is disconnected before performing maintenance.

To access Rebar Cutter:

1. Open the access side panel and locate the rebar cutter with a black cover.
2. Remove the screws to lift cover and access rebar cutter.

Cutter Blocks:

Check cutter blocks for damage before each use. If cutter block is damaged, replace block before next use as per following diagram:



Check cutter block bolts for tightness before each use. Use protective gloves when handling cutter blocks as edges are very sharp.

Cleaning:

Clean machine after each use.

Use protective gloves when cleaning to protect hands from metal splinters.

Do not use air gun as this may cause dust and metal filings to enter vents.

1. Extend cutter rod and disconnect from power source.
2. Wipe or brush away all dust and metal filings. Pay particular attention to lower half of cutter rod.
3. Connect to power source and press pedal switch to complete cut cycle.

Oil Level Check:

Check oil every 2 months or if loss of power apparent in rebar cutter.

Hydraulic oil is highly flammable; keep away from sparks and naked flame.

In case of ingestion or eye contact, consult a physician immediately.

1. Adjust stopper and make 3-4 cuts, noting exactly the point in which rebar is breaking.
2. Pinch next bit of rebar, stopping just before it breaks. Unplug machine from power source.
3. Turn unit over so oil plug is uppermost (if machine is hot allow to cool down first).
4. Remove oil plug and seal washer (never remove when machine is hot).
5. Check oil is level with bottom of plug hole. If oil is too low, top up with approved ISO VG46 oil.
6. Remove air bubbles - gently tilt cutter lengthways and return to level position. Top up and tilt cutter in opposite direction. Repeat this process until all air has been extracted.
7. Replace seal washer and oil plug.
8. Connect to power source and completely sever rebar.

Oil Change:

Change oil at least once a year or sooner if it appears dirty.

1. Unplug machine from power source.
2. Turn unit over so oil plug is uppermost (if machine is hot allow to cool down first).
3. Remove oil plug and seal washer (never remove when machine is hot).
4. Turn cutter over and drain oil into a suitable receptacle. When oil ceases to drain, tilt machine to rear to allow oil trapped in piston housing to drain out. When housing is empty, tilt unit in the opposite direction to empty the residue in the pump case.
5. Once all oil has been drained from the machine, turn unit over so oil plug is uppermost.
6. Slowly fill the machine with fresh oil and replace seal washer and oil plug.
7. Connect machine to power source and follow procedure for Oil Level Check.

Note: *Dispose of hydraulic oil in accordance with local regulations.*

Bolt Tightness:

All bolts should be checked for tightness on a weekly basis or after every 500 cuts (whichever comes first).

Carbon Brushes:

Inspect carbon brushes on a monthly basis. Worn brushes will result in power loss and cause irreparable damage to the armature's commutator. Check brushes immediately if a loss of power or electrical fault is experienced.

Replacing Carbon Brushes:

1. Unplug machine from power source.
2. Locate the brush caps on both sides near the back of the motor housing.
3. Open the brush caps with a screwdriver and remove carbon brushes from the machine.
4. Inspect the carbon brushes and replace where worn or damaged.
5. Reinstall new carbon brushes and brush caps securely.

RAPID TOOL AUSTRALIA

Leading distributor of specialist construction tools & equipment

www.rapidtool.com.au